

SAFE. WELL-CONCEIVED. VERSATILE.

INTELLIGENT OPERATION. BOMAG MULTI-PURPOSE COMPACTOR.

The perfect choice when things get tough: the articulated, radio-controlled BMP 8500 multi-purpose compactor achieves outstanding compaction results wherever conditions are confined or dangerous. The radio remote control ensures you always have the multi-purpose compactor with an operating weight of almost 1.6 t safely under control. Just like your construction site.



EVOLUTION IN EARTHWORKS.

Specially designed for earthworks, it is particularly suitable for the safe compaction of cohesive soils: in trench construction, for construction backfills, in sewer and pipeline construction as well as for substructure and foundation work.



REMOVABLE DRUM EXTENSION WITH PADFEET.

The working width can be easily varied between 610 and 850 mm using the standard drum extensions. They are ready for use in any trench – within minutes.



SMOOTH DRUMS ALSO AVAILABLE.

The BOMAG BMP 8500 can also be optionally equipped with a smooth surface drum for excellent surface quality without impressions, even on sandy material.



SUPERIOR TECHNOLOGY.

MOST RELIABLE DRIVE.

- Free choice between a modern Kubota motor and a Kohler diesel engine
- BOMAG ECOMODE keeps operating costs low
- If the remote control is not activated, the engine automatically returns to idle speed after a few seconds
- Rely on decades of reliability

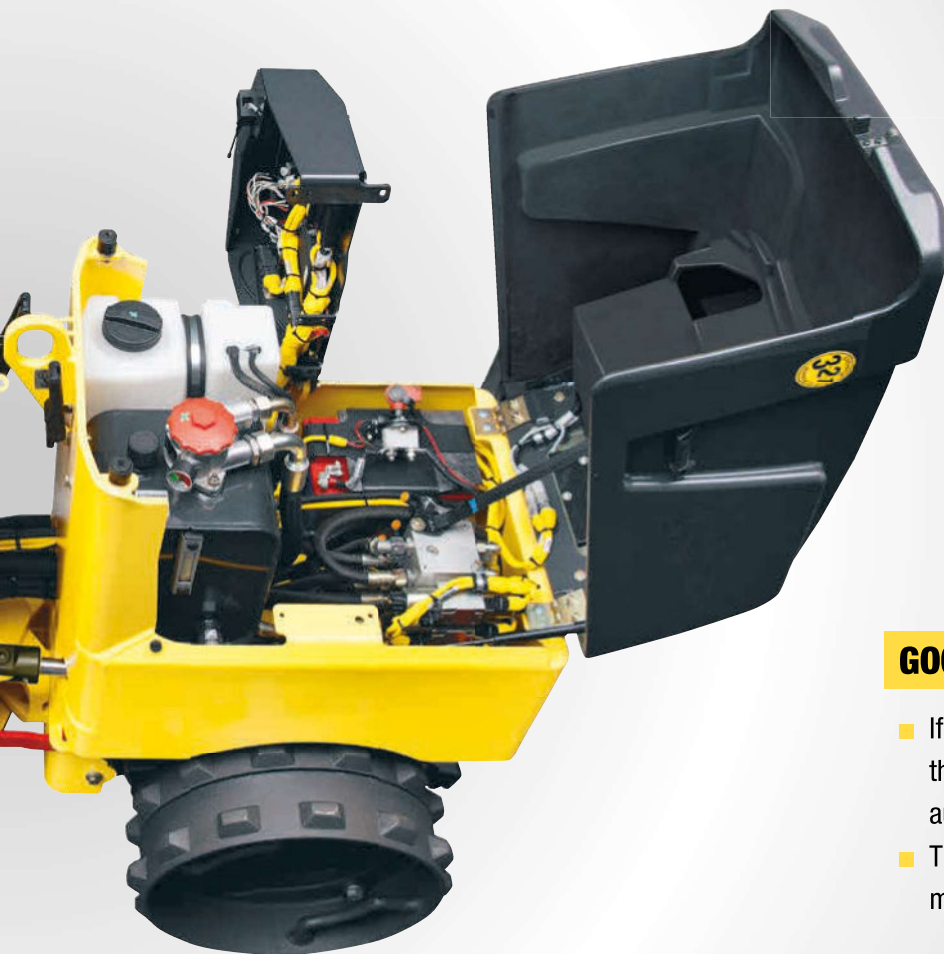
QUICKLY WIDENED.

- The standard drum extension allows the working width to be adjusted from 610 to 850 mm in just a few minutes



RELIABLE SIGNALS.

- The radio/cable remote control means that intense sunlight and working in the shoring are no problem.
- The clearly assigned machine remote control ensures safe operation without the need to adjust the frequencies



GOOD REACTION.

- If the operator gets too close to the machine, the BOMAG Operator Safety System (BOSS) automatically stops the travel system
- This prevents accidents and ensures maximum safety during operation

BUILT-IN SAFETY.

- The fully encased exciter housing prevents water and dirt ingress, as well as abrasion to the hydraulic hoses
- This increases operational safety and prevents costly repair work – year for year



ECONOMIZER: KNOWING WHEN IT'S RIGHT.

OPTIMUM RESULTS AUTOMATICALLY.

The BMP 8500 remote-controlled multi-purpose compactor comes into its own when things get confined and inaccessible. With the BOMAG ECONOMIZER on board, it reliably displays the compaction progress – helping the operator achieve top compaction results.

The ECONOMIZER is well protected and integrated into the hood of the multi-purpose compactor – and the display is perfectly visible from all sides. It couldn't be simpler because no activation or calibration is required.

BOMAG ECONOMIZER.

- Unique in compaction technology
- Automatically determines compaction progress
- The operator can reliably detect weak points in the subgrade and react in good time
- Unnecessary passes, over-compaction and expensive reworking are avoided
- Saves up to 25% working time





STATE-OF-THE-ART EARTHWORKS.

The first remote-controlled, multi-purpose compactor that indicates when it has finished compacting! Thanks to ECONOMIZER, the operator sees when optimum compaction has been achieved.